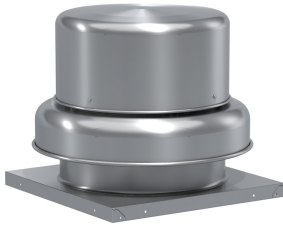




SKU
GB-240-10134XQD-DR2

Job Name:
Mark:
Submitted By:
Date: 04/16/2025

Centrifugal Downblast Exhaust Fan, Product # GB-240-10134XQD-DR2, 2676-6794 CFM

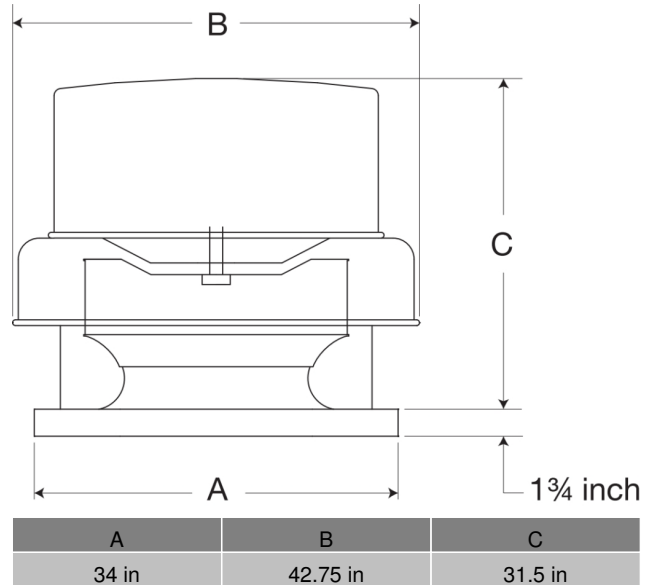


Model GB, belt drive centrifugal roof exhaust fans are designed to meet the general clean air exhaust requirements for industrial and commercial buildings. Units feature a fully rolled windband bead for increased stability and easy transport. Fresh outside air is drawn in under the motor cover to maximize motor life.

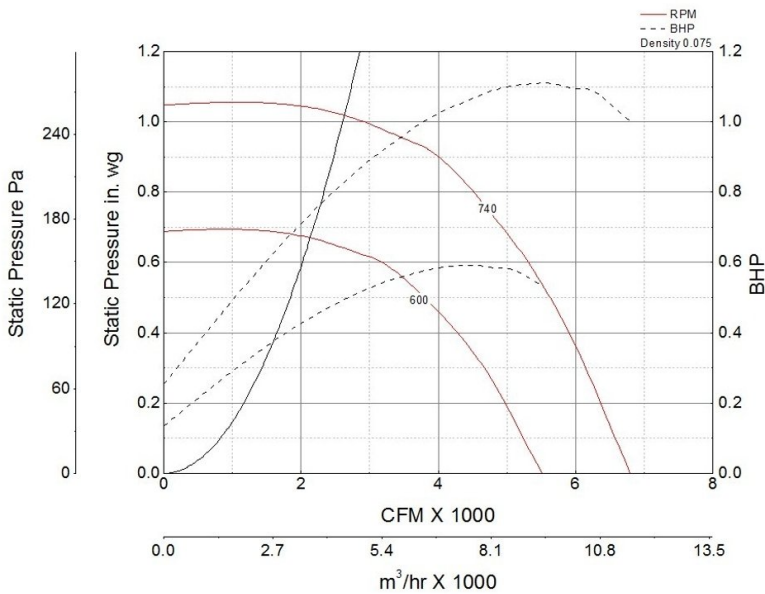
- 34 x 34 inch base with prepunched mounting holes for easy attachment to roof curb
- Variable pitch adjustable motor pulley to optimize fan performance
- 30.5 x 30.5 inch recommended roof opening

Certifications

AMCA Sound & Air
High Wind and Hurricane
Seismic
UL/cUL 705



Performance Characteristics



Construction Features

Housing Material	Spun Aluminum
Drive Type	Belt Drive
Impeller Type	Centrifugal Wheel
Impeller Material	Aluminum
Includes	Unassembled drive package AMCA Sound & Air High Wind and Hurricane Seismic UL/cUL 705
Certifications	
Drive Package Description	Motor and drives shipped loose
Required Accessory	Roof curb for new installations

Motor Information

Motor Insulation	B
Motor Phase	1
Motor Type	NEMA
Service Factor	1.5
Voltage	115/208-230
HP	1
Hertz	60
Motor Enclosure	Open Drip Proof
RPM	1800
Thermal Protection	AutoOverload
Nominal Efficiency	69
NEMA Frame Size	56

Air and Sound Performance

Motor HP	Max BHP	Max Fan RPM	Min Fan RPM	Ps (in. wg)	0	0.125	0.25	0.375	0.5	0.625	0.75	0.875	1
1	1.11	740	600	CFM	6,794	6,523	6,257	5,969	5,625	5,212	4,718	4,110	2,676
				Sones	16.3	15.4	14.8	14.4	14	13.7	13.3	12.9	12.1



- Greenheck Fan Corporation certifies that the model shown herein is licensed to bear the AMCA Seal. The ratings shown are based on tests and procedures performed in accordance with AMCA Publication 211 and AMCA Publication 311 and comply with the requirements of the AMCA Certified Ratings Program.
- Performance certified is for installation type A: Free inlet, Free outlet.
- Power rating (BHP/kW) includes transmission losses.
- Performance ratings include the effects of birdscreen.
- The sound ratings shown are loudness values in fan sones at 5 ft. (1.5 m) in a hemispherical free field calculated per AMCA Standard 301. Values shown are for installation type A: free inlet hemispherical sone levels.

California Residents

 **WARNING**

This product can expose you to chemicals including cadmium used in the processing of corrosion resistant metal and fasteners, which is known to the State of California to cause cancer and birth defects or other reproductive harm. For more information visit www.P65Warnings.ca.gov

 **WARNING**