



SKU
CSP-A710-VG-QD

Job Name:
Mark:
Submitted By:
Date: 04/08/2025

Inline Cabinet Fan, Product # CSP-A710-VG-QD, 350-737 CFM

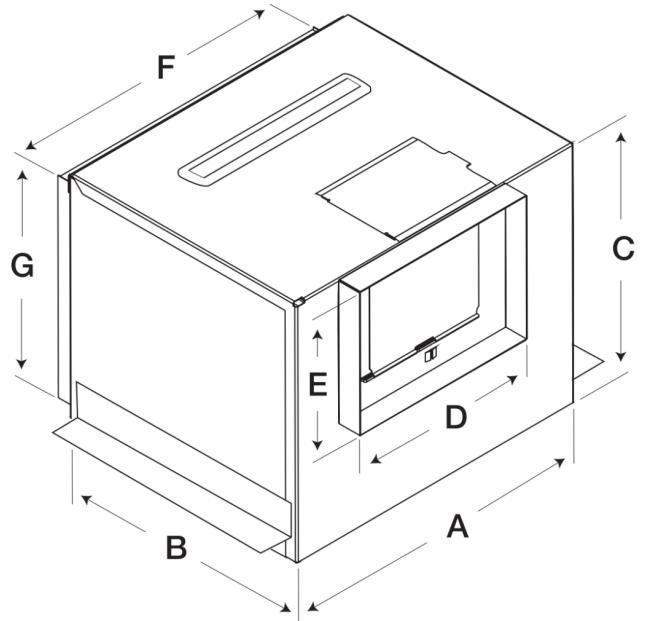


Model CSP inline fans are high performance fans designed for exhaust, supply or return air applications where low sound level are required. Units feature an insulated, galvanized steel housing with a forward-curved wheel and energy efficient, adjustable Vari-Green EC motors.

- 16.875 x 13.25 inch inlet width x height
- 10 x 8 inch outlet width x height
- Energy-efficient, speed controllable, Vari-green® motor

Certifications

AMCA Air
UL/cUL 507



A	B	C	D	E	F	G
18 in	14.375 in	14.5 in	10 in	8 in	16.875 in	13.25 in

Performance Characteristics

No Fan Curve Available.

Construction Features

Housing Material	Galvanized Steel
Drive Type	Direct Drive
Impeller Type	Centrifugal Wheel
Impeller Material	Polypropylene
Includes	Access Panel Backdraft damper Mounting brackets
Certifications	AMCA Air UL/cUL 507
Speed Controllable	Yes

Motor Information

Motor Insulation	B
Motor Phase	1
Motor Type	BrushlessDC
Service Factor	1
Voltage	120
HP	1/4
Hertz	60
Motor Enclosure	n/a
RPM	1800
Thermal Protection	AutoOverload
Nominal Efficiency	80

Air and Sound Performance

Watts	Max Fan RPM	Min Fan RPM	Ps (in. wg)	0	0.125	0.25	0.375	0.5	0.625	0.75	0.875
34	400	400	CFM	201	-	-	-	-	-	-	-
			Sones	0.1	-	-	-	-	-	-	-
68	925	925	CFM	466	408	331	-	-	-	-	-
			Sones	1.6	1.5	1.1	-	-	-	-	-
236	1450	1450	CFM	730	690	655	622	574	614	448	350
			Sones	12.1	12.6	12.8	13.3	12.2	11.3	10.7	11



- Greenheck Fan Corporation certifies that the CSP models shown herein are licensed to bear the AMCA seal.
- The ratings shown are based on tests and procedures performed in accordance with AMCA Publication 211 and comply with the requirements of the AMCA Certified Ratings Program.
- The CSP models are not AMCA certified with 50 hertz motors.

California Residents

 **WARNING**

This product can expose you to chemicals including cadmium used in the processing of corrosion resistant metal and fasteners, which is known to the State of California to cause cancer and birth defects or other reproductive harm. For more information visit www.P65Warnings.ca.gov