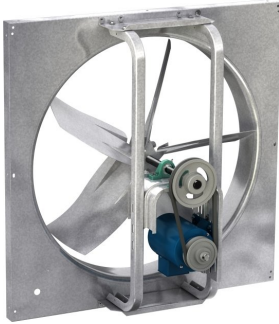




SKU
SBE-2L30-7X-QD-DR1

Job Name:
Mark:
Submitted By:
Date: 04/07/2025

Sidewall Propeller Exhaust Fan, Product # SBE-2L30-7X-QD-DR1, 7115-7115 CFM

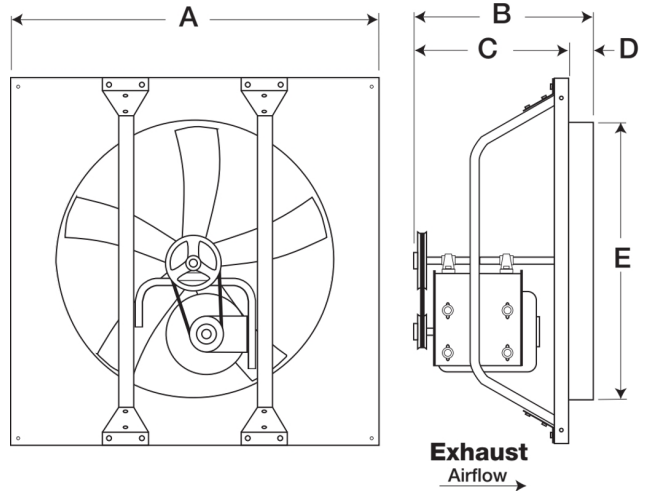


Model SBE, belt drive, sidewall propeller exhaust fans are designed for commercial and industrial applications where high volumes of air and low static pressures are required.

- 38 x 38 inch fan panel with prepunched mounting holes for easy installation and precise alignment
- 30 inch, 5-blade galvanized steel propeller
- Adjustable motor pulley to optimize fan performance

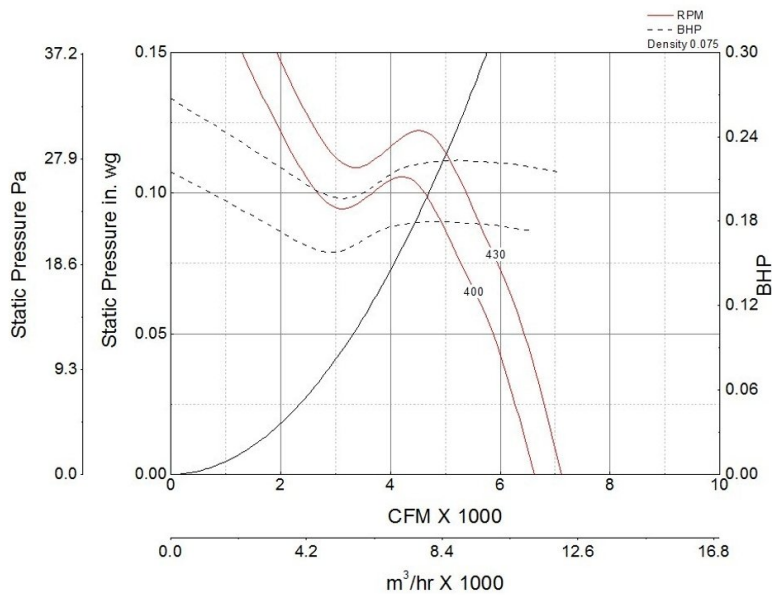
Certifications

AMCA Sound & Air
UL/cUL 705



| A | B | C | D | E |
|-------|---------|----------|---------|-----------|
| 38 in | 21.5 in | 17.25 in | 1.25 in | 30.625 in |

Performance Characteristics



Construction Features

| | |
|---------------------------|--|
| Housing Material | Galvanized Steel |
| Drive Type | Belt Drive |
| Impeller Type | Propeller |
| Impeller Material | Galvanized Steel |
| Includes | Disconnect switch Unassembled drive package |
| Certifications | AMCA Sound & Air UL/cUL 705 |
| Drive Package Description | Motor and drives shipped loose |

Motor Information

| | |
|--------------------|-----------------|
| Motor Insulation | B |
| Motor Phase | 1 |
| Motor Type | NEMA |
| Service Factor | 1.25 |
| Voltage | 115/208-230 |
| HP | 3/4 |
| Hertz | 60 |
| Motor Enclosure | Open Drip Proof |
| RPM | 1800 |
| Thermal Protection | AutoOverload |
| Nominal Efficiency | 70.1 |
| NEMA Frame Size | 56 |

Air and Sound Performance

| Motor HP | Max BHP | Max Fan RPM | Min Fan RPM | Ps (in. wg) | 0 |
|----------|---------|-------------|-------------|-------------|-------|
| 3/4 | 0.21 | 430 | 400 | CFM | 7,115 |
| | | | | Sones | 10.4 |



- Greenheck Fan Corporation certifies that the model shown herein is licensed to bear the AMCA seal. The ratings shown are based on tests and procedures performed in accordance with AMCA Publication 211 and AMCA Publication 311 and comply with the requirements of the AMCA Certified Ratings Program.
- Performance certified is for installation type A: Free inlet, Free outlet.
- Power rating (Bhp/kW) includes transmission losses.
- Performance ratings do not include the effects of appurtenances (accessories).
- The sound ratings shown are loudness values in fan sones at 5 ft. (1.5 m) in a hemispherical free field calculated per AMCA Standard 301. Values shown are for installation type A: free inlet hemispherical sone levels.

California Residents

 **WARNING**

This product can expose you to chemicals including cadmium used in the processing of corrosion resistant metal and fasteners, which is known to the State of California to cause cancer and birth defects or other reproductive harm. For more information visit www.P65Warnings.ca.gov