



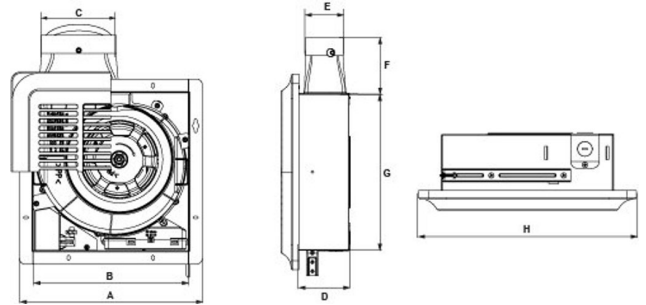
SKU  
SP-LP0511L

Job Name:  
Mark:  
Submitted By:  
Date: 04/15/2025

## MultiSpec SP-LP0511L 50/80/110 CFM Low-Profile Lighted Bathroom Exhaust Fan



- ENERGY STAR rated
- Virtually silent EC motor with 3 high speeds (50-80-110 CFM)
- Constant CFM technology
- 3-1/2 Inch Housing Depth – the low profile is ideal for wall or ceiling installations. Easily fits in a 2x4 stud bay
- L-shaped bracket for support and ease of installation
- 3-year warranty on ECM motor and parts, excluding light
- 10W dimmable LED chip panel, 750 lumens, 3000K warm white color temperature, and Rated Life of 50,000 hours
- UL listed for tub/shower enclosure when GFCI protected



A	B	C	D	E	F	G	H
12.125 in	10.25 in	5 in	3.5 in	2.5 in	3.75 in	10.375 in	13 in

### Certifications

UL/cUL 507  
Home Ventilating Institute (HVI)  
ENERGY STAR® Certified

### Performance Characteristics

No Fan Curve Available.

### Construction Features

Drive Type	Direct Drive
Impeller Type	Centrifugal Wheel
Impeller Material	Polypropylene
Includes	Backdraft damper Mounting brackets
Certifications	UL/cUL 507 Home Ventilating Institute (HVI) ENERGY STAR® Certified
Speed Controllable	Yes

### Motor Information

Motor Phase	1
Voltage	115
Hertz	60
Watts	22.6

### Air and Sound Performance

Watts	Max Fan RPM	Min Fan RPM	Ps (in. wg)	0.1	0.25	0.4	0.5
14.3	771	771	CFM	50	50	50	50
			Sones	>0.3	0.7	1.4	2.1
			CFM	80	80	80	80
18.5	871	871	Sones	0.7	1.2	1.8	2.3
			CFM	110	110	110	110
			Sones	1.5	2.1	2.2	2.3

## California Residents

 **WARNING**

This product can expose you to chemicals including cadmium used in the processing of corrosion resistant metal and fasteners, which is known to the State of California to cause cancer and birth defects or other reproductive harm. For more information visit [www.P65Warnings.ca.gov](http://www.P65Warnings.ca.gov)