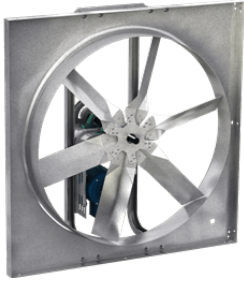




SKU  
SBE-1H24-5X-QD-DR2

Job Name:  
Mark:  
Submitted By:  
Date: 01/14/2025

## Sidewall Propeller Exhaust Fan, Product # SBE-1H24-5X-QD-DR2, 631-4235 CFM

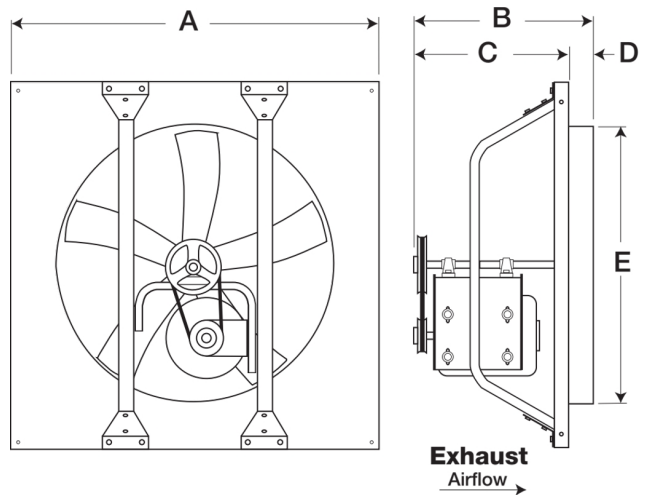


Model SBE, belt drive, sidewall propeller exhaust fans are designed for commercial and industrial applications where high volumes of air and low static pressures are required.

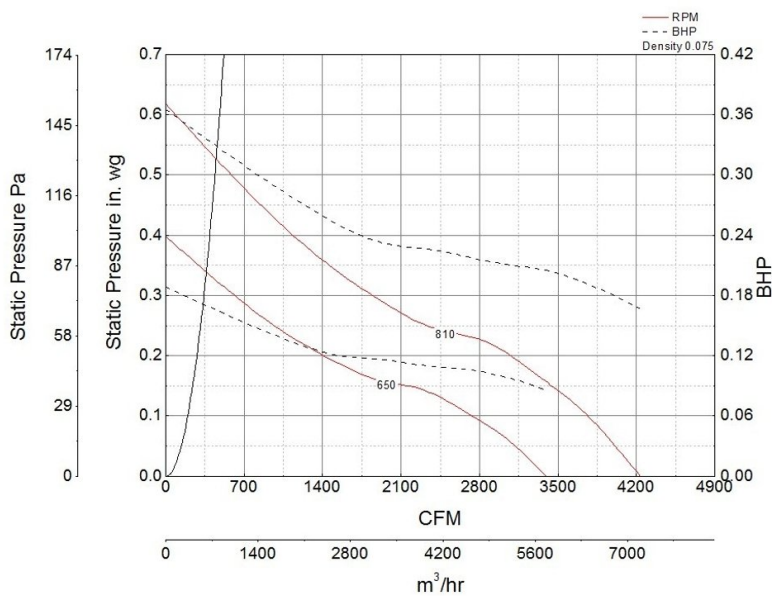
- 32 x 32 inch fan panel with prepunched mounting holes for easy installation and precise alignment
- 24 inch, 6-blade galvanized steel propeller
- Adjustable motor pulley to optimize fan performance

### Certifications

AMCA Sound & Air  
UL/cUL 705



### Performance Characteristics



### Construction Features

Housing Material	Galvanized Steel
Drive Type	Belt Drive
Impeller Type	Propeller
Impeller Material	Galvanized Steel
Includes	Unassembled drive package
Certifications	AMCA Sound & Air UL/cUL 705
Drive Package Description	Motor and drives shipped loose

### Motor Information

Motor Insulation	B
Motor Phase	1
Voltage	115/208-230
HP	1/2
Motor Enclosure	Open Drip Proof
Thermal Protection	AutoOverload
NEMA Frame Size	48

### Air and Sound Performance

Motor HP	Max BHP	Max Fan RPM	Min Fan RPM	Ps (in. wg)	0	0.125	0.25	0.375	0.5
1/2	0.32	810	650	CFM	4,235	3,610	2,347	1,299	631
				Sones	13.9	14.2	13.2	12.1	13.2



- Greenheck Fan Corporation certifies that the model shown herein is licensed to bear the AMCA seal. The ratings shown are based on tests and procedures performed in accordance with AMCA Publication 211 and AMCA Publication 311 and comply with the requirements of the AMCA Certified Ratings Program.
- Performance certified is for installation type A: Free inlet, Free outlet.
- Power rating (Bhp/kW) includes transmission losses.
- Performance ratings do not include the effects of appurtenances (accessories).
- The sound ratings shown are loudness values in fan sones at 5 ft. (1.5 m) in a hemispherical free field calculated per AMCA Standard 301. Values shown are for installation type A: free inlet hemispherical sone levels.

## California Residents

 **WARNING**

This product can expose you to chemicals including cadmium used in the processing of corrosion resistant metal and fasteners, which is known to the State of California to cause cancer and birth defects or other reproductive harm. For more information visit [www.P65Warnings.ca.gov](http://www.P65Warnings.ca.gov)